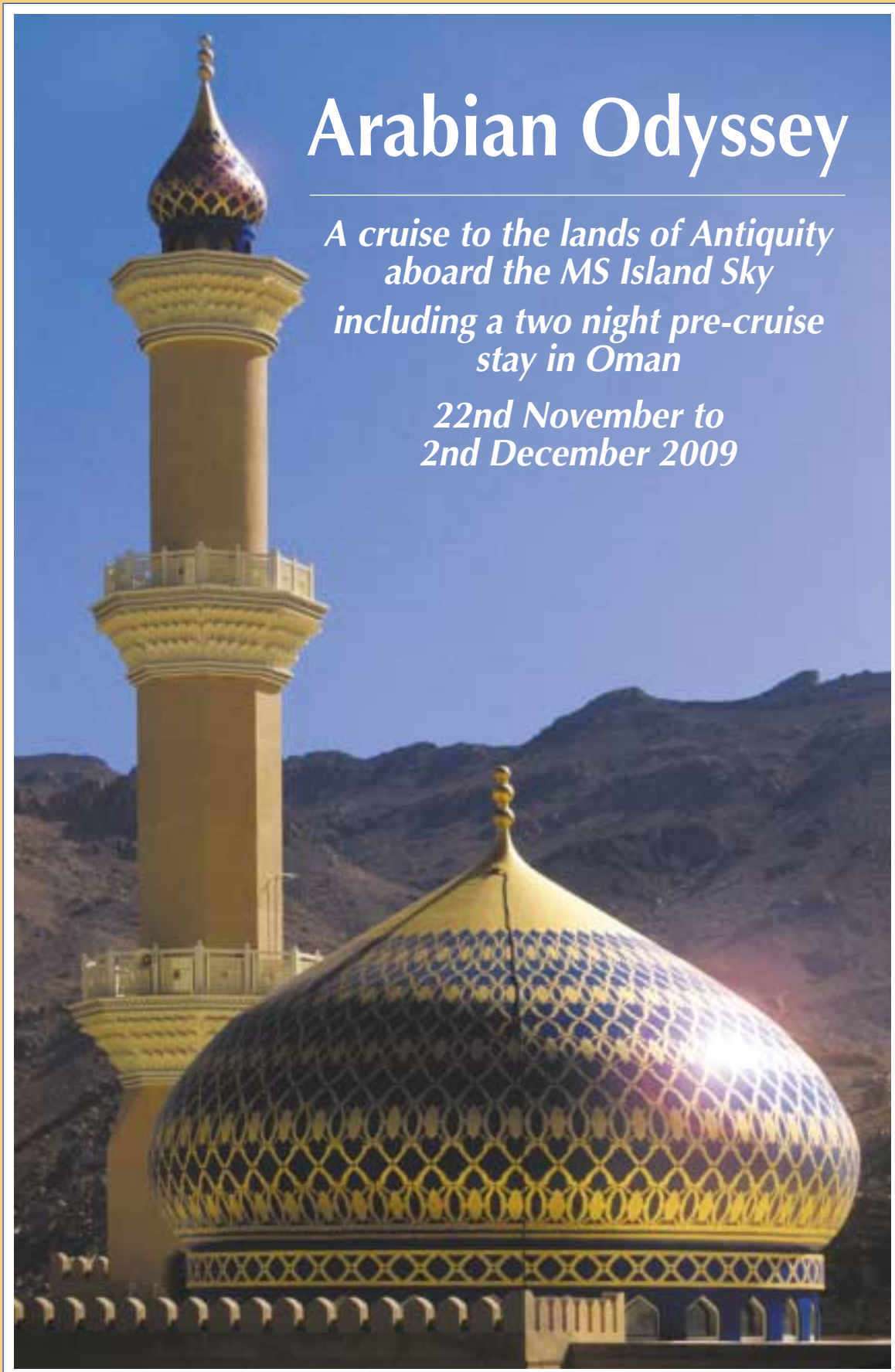


BOOK BEFORE 31 MARCH 2009 AND SAVE £500 PER PERSON

# Arabian Odyssey

*A cruise to the lands of Antiquity  
aboard the MS Island Sky  
including a two night pre-cruise  
stay in Oman*

*22nd November to  
2nd December 2009*



NOBLE CALEDONIA

Come with us to a corner of the world that has fascinated travellers for centuries. Our unique cruise offers a comprehensive look at an area richly influenced by its ancient history and recent wealth. The diverse nature of the people, customs and the landscapes they inhabit, make for an enthralling experience as we venture through the mosaic of lands bordered by vast deserts, through green wadis and pass in the shadow of spectacular mountains.

The contrast of old and new is staggering, from the ancient villages and souks of the old towns to the magnificent cities of glass and steel, which include some of the world's most impressive buildings. All this will be achieved with great ease aboard the *MS Island Sky*, an ideal vessel for serious exploration. With just 100 or so like-minded souls, we are able to explore in a way that is impossible from aboard a large cruise vessel. The shimmering waters of the Gulf should make for a comfortable journey and the obvious bonus of having a ship for our base, rather than a sequence of hotels, leaves us free to relax and enjoy all the marvellous sights that surround us.

Before embarking the *MS Island Sky* we have included a two night hotel stay in Muscat allowing us time to explore the interior of Oman with a full day excursion to the fascinating town of Nizwa.



### The Itinerary

**Day 1 London to Muscat.** Fly by scheduled flight. Upon arrival transfer to the Shangri La Al Waha Hotel (or similar) for your two night stay on bed & breakfast basis.

**Day 2 Muscat.** Today there will be a long but rewarding trip into the interior of Oman, to the oasis town of Nizwa. We will depart early for the 100 mile drive through the mountains to this attractive town in the conservative and timeless interior of the Oman. We will explore the meandering alleyways of the souk and climb the stairs to the 17th century fort.

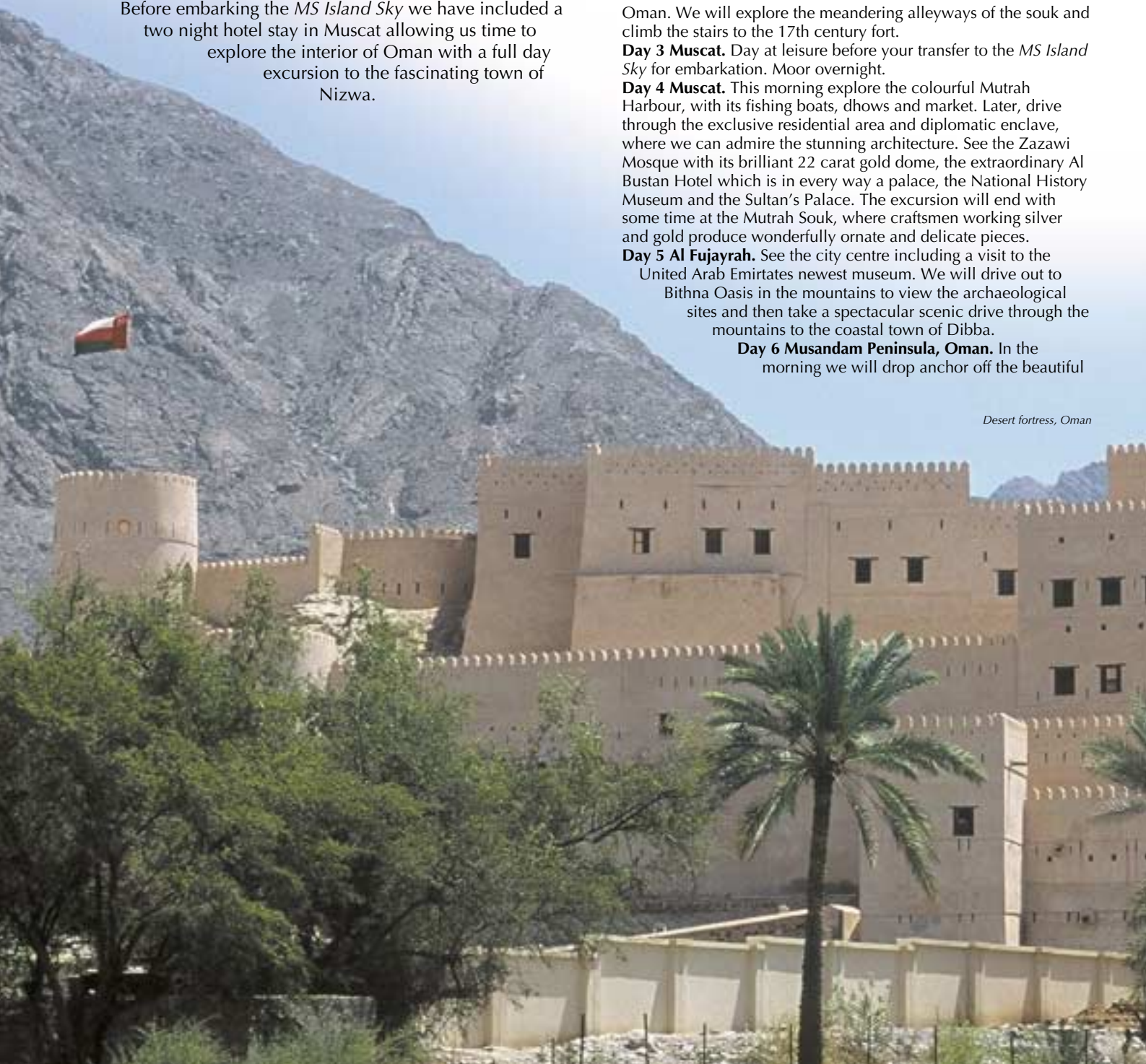
**Day 3 Muscat.** Day at leisure before your transfer to the *MS Island Sky* for embarkation. Moor overnight.

**Day 4 Muscat.** This morning explore the colourful Mutrah Harbour, with its fishing boats, dhows and market. Later, drive through the exclusive residential area and diplomatic enclave, where we can admire the stunning architecture. See the Zazawi Mosque with its brilliant 22 carat gold dome, the extraordinary Al Bustan Hotel which is in every way a palace, the National History Museum and the Sultan's Palace. The excursion will end with some time at the Mutrah Souk, where craftsmen working silver and gold produce wonderfully ornate and delicate pieces.

**Day 5 Al Fujayrah.** See the city centre including a visit to the United Arab Emirates newest museum. We will drive out to Bithna Oasis in the mountains to view the archaeological sites and then take a spectacular scenic drive through the mountains to the coastal town of Dibba.

**Day 6 Musandam Peninsula, Oman.** In the morning we will drop anchor off the beautiful

*Desert fortress, Oman*





Muscat, Oman

Musandam Peninsula. This is without doubt the most dramatic of all mountainous locations in the Gulf and a difficult region to reach other than by sea. This little known and untouched area is a haven for birds and offers some stunning scenery. Bedouin boatmen will take us aboard their dhows to explore the fjord-like inlets which indent the peninsula.

**Day 7 At sea.** Spend a relaxing day at sea as we navigate the Arabian Gulf.

**Day 8 Doha, Qatar.** Arrive this morning in the capital city of Qatar, situated on the bank of the Arabian Gulf. Once a busy pearl fishing village, Doha is now one of the most important oil and petroleum trade centres of the region. It is a picturesque port with an intriguing mixture of old and new Arab traditions.

**Day 9 Abu Dhabi.** Today we will visit the largest and oil richest of the seven emirate states that make up the United Arab Emirates. Our excursion will depart from the port and drive through the desert to the beautiful garden city of Al Ain. We will visit the museum and learn more about traditional Bedouin households. From the museum we will make our way to the renovated old palace of HH Sheikh Zayed, the late ruler of Abu Dhabi and late president of the U.A.E. Our final stop will be the camel market, which is the largest in the U.A.E.

**Day 10 Dubai.** Welcome to Arabia's Hong Kong. A day to see the sights, visit the shops, see some of the stunningly designed hotels and sample the food. Moor overnight.

**Day 11 Dubai to London.** Disembark after breakfast and transfer to the airport for the return scheduled flight to London.



Spice market, Doha, Qatar

**BOOK BEFORE 31 MARCH 2009  
AND SAVE £500 OFF THE PRICES SHOWN BELOW**

### Prices per person

based on double occupancy Tour Code: SCISK22119

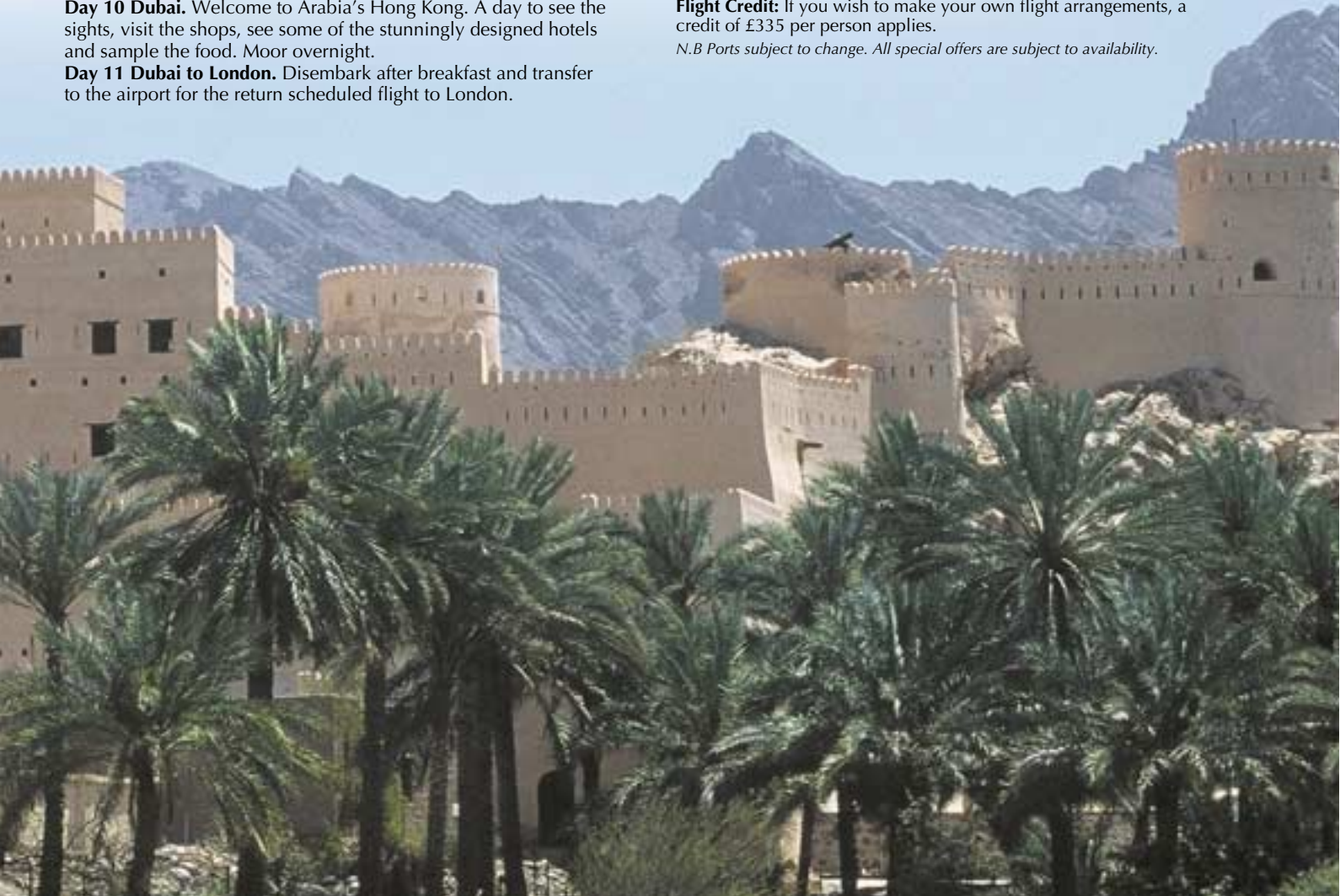
| DECK       | SUITE CATEGORY     | DOUBLE OCCUPANCY | SOLE OCCUPANCY |
|------------|--------------------|------------------|----------------|
| Magellan   | Standard (Forward) | £3395            | £4995          |
| Magellan   | Standard           | £3895            | £5295          |
| Columbus   | Superior           | £4295            | £6095          |
| Marco Polo | Premium            | £4795            | -              |
| Marco Polo | Corner             | £4895            | -              |
| Erikson    | Deluxe Balcony     | £5295            | -              |
| Explorer   | Owner's Balcony    | £5595            | -              |
| Marco Polo | Single             | -                | £5095          |

**Price includes:** Economy class scheduled air travel, 2 nights hotel accommodation in Muscat on bed and breakfast basis, 8 nights aboard the *MS Island Sky* on full board, shore excursions, transfers, guest speaker, port taxes, airport taxes.

**Not included:** Travel insurance, gratuities, visas.

**Flight Credit:** If you wish to make your own flight arrangements, a credit of £335 per person applies.

*N.B Ports subject to change. All special offers are subject to availability.*





# MS Island Sky

Formerly known as *Renaissance VIII*, this deluxe vessel is one of the finest small ships in the world.

## Your Suite

Built in Italy in 1992 to a high specification, the *MS Island Sky* offers exceptionally spacious and well designed cabins. All cabins are in fact suites with a sitting room. Arranged over five decks, all have outside views and some have private balconies. Each suite affords considerable comfort with en-suite bathroom, large wardrobes, vanity table with large mirror and stool and excellent storage. There are mini-fridges, television and a telephone in each suite.

## Your Space

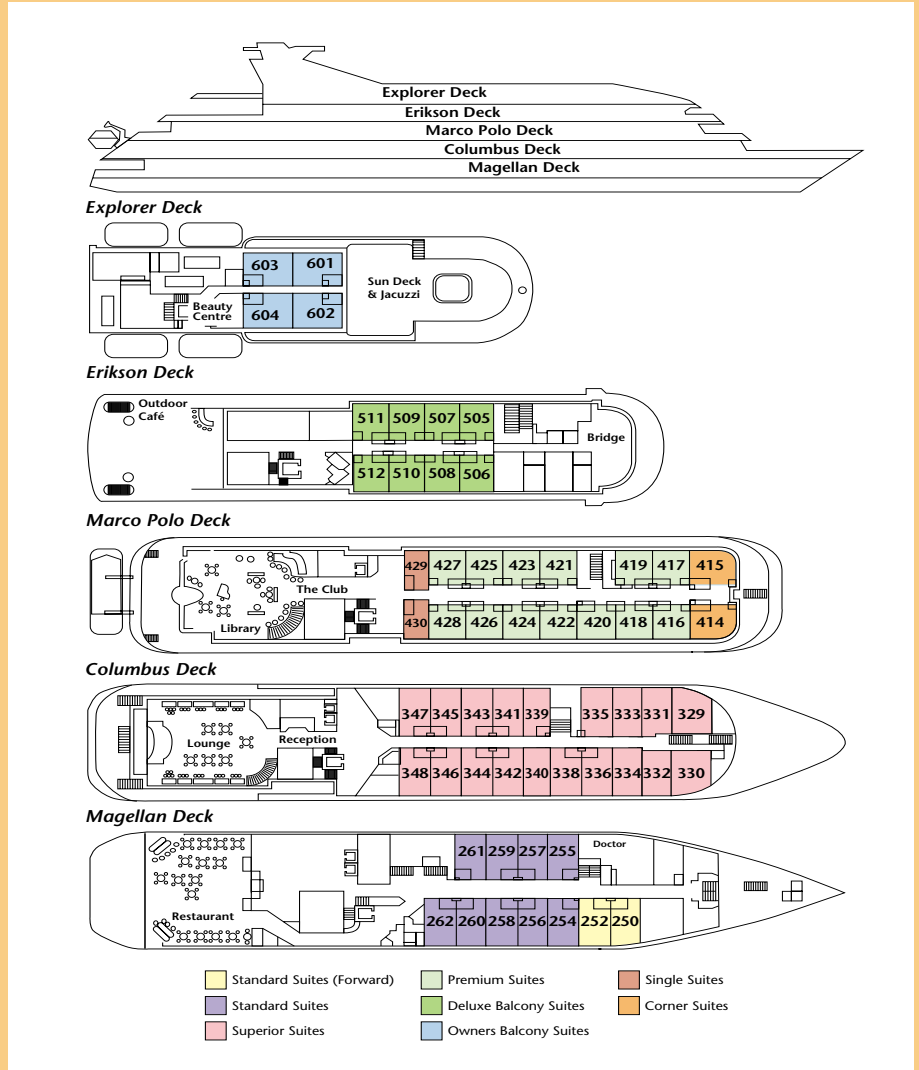
Our maximum complement of passengers is 116, although a vessel of this size is capable of carrying many more. The spacious and finely decorated public rooms include a large lounge, elegant bar with piano, library and single sitting dining room. Outside there is a rear sun deck where meals are served in warm weather under shade, a bar, Jacuzzi and comfortable deck furniture.

## Your Dining

With only one sitting and a maximum of just over 100 passengers, the galley is able to provide delicious meals, the chef obtaining local produce where possible. In the main restaurant, breakfast is served buffet-style, with certain items cooked to order, and lunch and dinner are à la carte. When weather permits, breakfast and a buffet-style lunch are also served on deck.

## A Unique Atmosphere

On board there is a high ratio of crew to passengers and the crew are mainly Filipino and Eastern European. Our northern European captains are experienced mariners and if, like them and us, you prefer a peaceful life at sea, you will find the *MS Island Sky* the perfect ship. We promise there will be no organized entertainment or any of the usual big ship experiences. The atmosphere on board is more akin to a private yacht or country hotel. A little music in the lounge or bar after dinner, guest speakers and informative port briefings from our cruise director will add to your experience. After a day ashore you will return to the comfort and peace of a well run and exceedingly comfortable ship.



Magellan deck - standard suite



Restaurant



Erikson Deck



Erikson deck - deluxe balcony suite

**Call 020-7752 0000**  
 Reservations: Monday to Saturday from 9am to 5pm. Brochures: 24 hours a day/7 days a week

**NOBLE CALEDONIA**

[www.noble-caledonia.co.uk](http://www.noble-caledonia.co.uk)  
 2 CHESTER CLOSE, BELGRAVIA, LONDON SW1X 7BE  
 info@noble-caledonia.co.uk Fax: 020 7245 0388





Front Cover: Nizwa  
Mosque, Oman



The air holidays and flights in this brochure are ATOL protected by the Civil Aviation Authority  
 Our current booking conditions apply to all reservations (available on request)

Printed in England - January 2009  
 Job No TE 07030